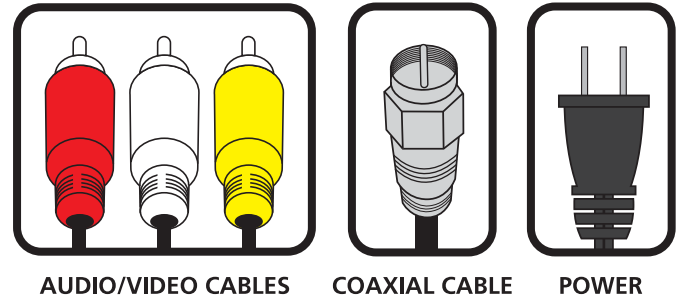


DIGITAL TELEVISION CONVERTER QUICK START GUIDE

This guide will help you understand what a digital television converter box looks like and how easy it is to install and use. For complete instructions on a specific model of converter box, please refer to the literature included with your converter box.

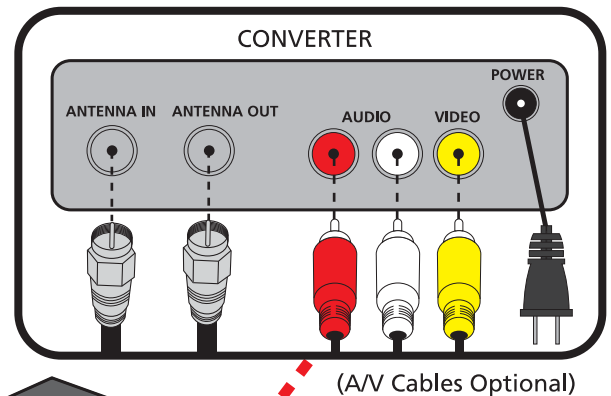
STEP 1 - UNPACK

- A)** In the box you will find an instruction manual, a coaxial cable, a remote control with batteries and the set-top converter box. A power cable, power supply, audio/video cables and cable adaptors may be included as well.
- B)** Begin by placing the converter near the TV so it will be visible from the front.



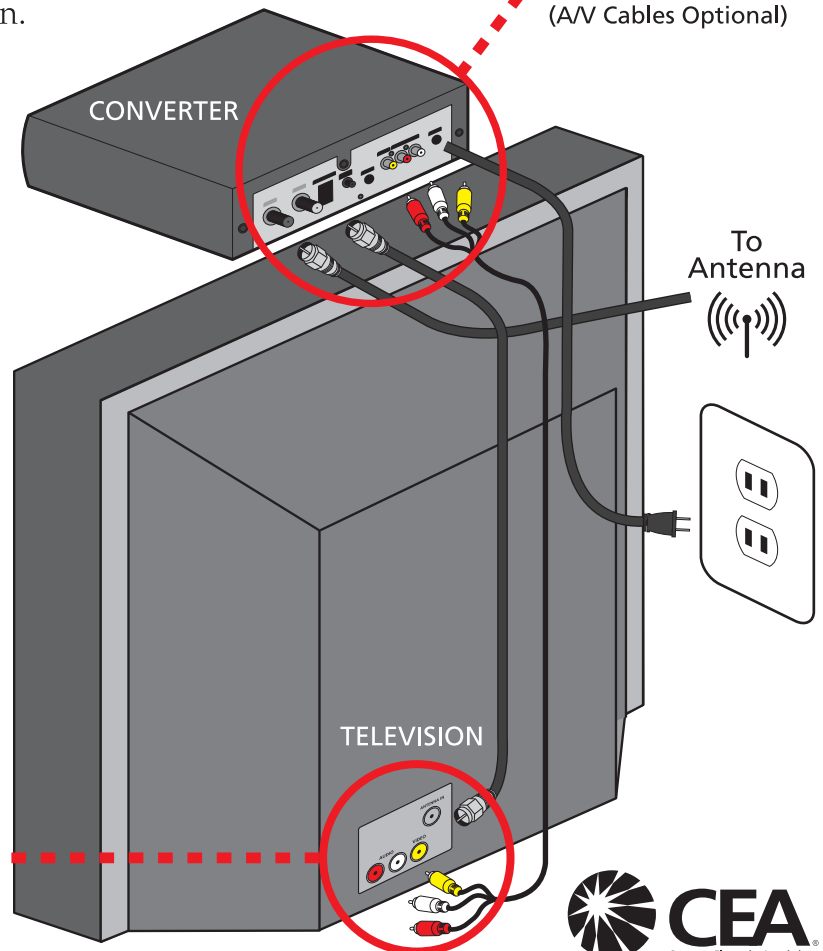
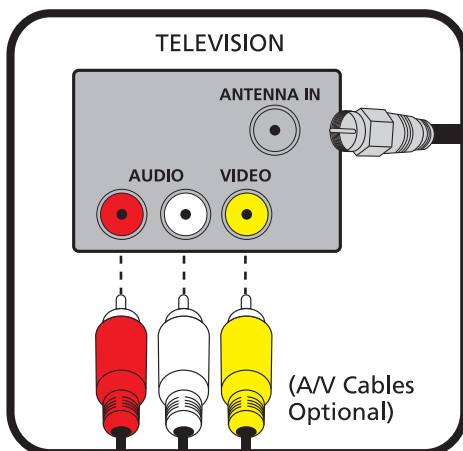
STEP 2 - CONNECT

- A)** Disconnect your existing antenna by pulling or unscrewing the coaxial cable from the "antenna in" jack on the back of your TV.
- B)** Connect the antenna cable to the "antenna in" jack on the back of the converter box.
- C)** Use the supplied coaxial cable to connect the "antenna out" jack on the converter to the "antenna in" on the back of the television.



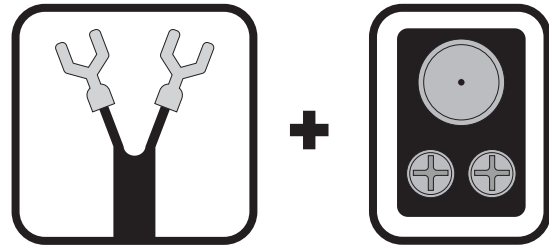
NOTE: The red, white and yellow auxiliary outputs can be used as an alternative to the coaxial cable if your set is equipped with corresponding inputs, or to connect a video cassette recorder (VCR).

- D)** Next, plug in the converter box power cable and install the supplied batteries in the remote control.



DIGITAL TELEVISION CONVERTER QUICK START GUIDE

NOTE: If your antenna connects to your set through a thin, flat wire hooked to a pair of screw terminals instead of the threaded coaxial cable input, you will need to use an inexpensive antenna adaptor, available from your local electronics retailer.



STEP 3 - SCAN FOR CHANNELS

- A)** Turn on the television and tune it to channel three. (Note: If channel three is in use in your area, consult the converter box manual for instructions on how to use channel four instead).
- B)** Point the remote toward the converter box and press the “power” button. A small light on the front of the box will indicate that the box is getting power and has turned on.
- C)** The first time the unit is powered up, it will either prompt you to scan for local channels or it will begin scanning for channels automatically. This could take several minutes but will only happen once. Once the channel scanning process is complete, your box will be ready to use.

STEP 4 - ENJOY!

- A)** Press the “channel up” button on the converter box remote to explore your new digital stations. Do not be surprised if you suddenly receive many additional channels.
- B)** If any of your desired stations are missing, refer to the converter’s manual for instructions on how to add additional channels.
- C)** Then, just sit back and enjoy the added features and superior quality of digital television!

For more information on the digital transition, visit DigitalTips.org and DTVtransition.org.



1919 S. EADS ST. ARLINGTON, VA 22202